

Laser Cutting Printed Fabrics



CadCam Technology
LTD





Contour Cut by CadCam Technology

Contour Cut by CadCam Technology Ltd automates the process of cutting out printed fabric both quickly and accurately, automatically compensating for any distortions and stretches that occur in unstable rolls of textile.

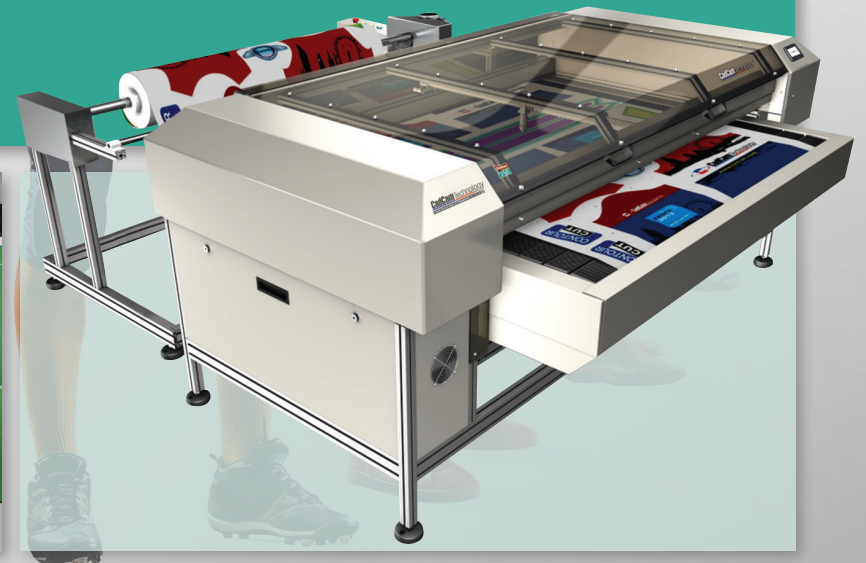
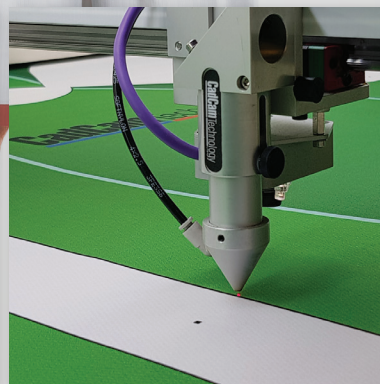
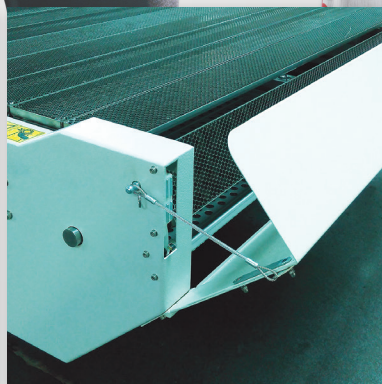
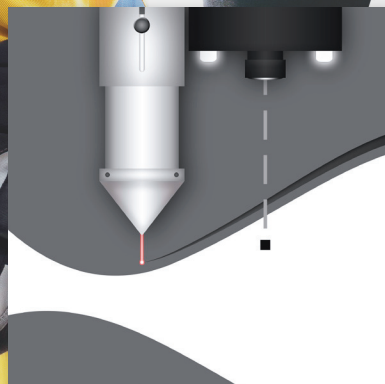
State of the art camera recognition is used to pinpoint registration marks printed on your material. The marks can be accurately read by our laser allowing

our intelligent analysis to compensate for any deformations.

When the laser cut pieces exit the machine, they are perfect every time.

As laser cutting is non-contact there is no drag on the material and no blades to change. High speed loop servo motors ensure precise camera mapping and accurate cut lines with minimal user interaction.

Material is automatically unrolled and transported onto the vacuumed cutting bed using our next generation conveyor system. You simply collect the pieces as they exit the machine, this gives Contour Cut a major advantage over traditional fabric cutting methods.



Laser cutting sublimation printed fabrics

Sublimation printing onto large format textiles is now very popular for producing an array of products including sportswear, flags and banners etc.

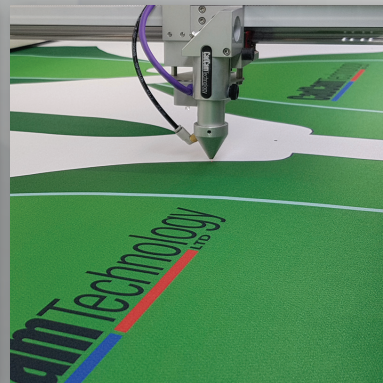
Due to technological advances, printers are becoming faster and more cost effective every day. The only issue remaining in the industry is how to cut out the parts quickly and effectively.

Manually cutting is too slow, inconsistent and labour intensive. Whereas cutting with a knife can cause drag on textiles.

Contour Cut's distortion recognition system makes it ideal for cutting any type of material.

In addition, once cut, synthetic textiles gain a sealed edge, meaning they will not fray.

Yet another excellent advantage over traditional textile cutting methods which will always require overlocking.



Accurate cutting at high speeds, over and over again,
saving you time and money.



Axial Speed - 0.2mm/s up to 1000mm/s

Acceleration - up to 2g

Resolution - 0.025mm

Software - ApS-Ethos Cutting Composer

Motion System - Loop servo motors with hardened ground steel rails

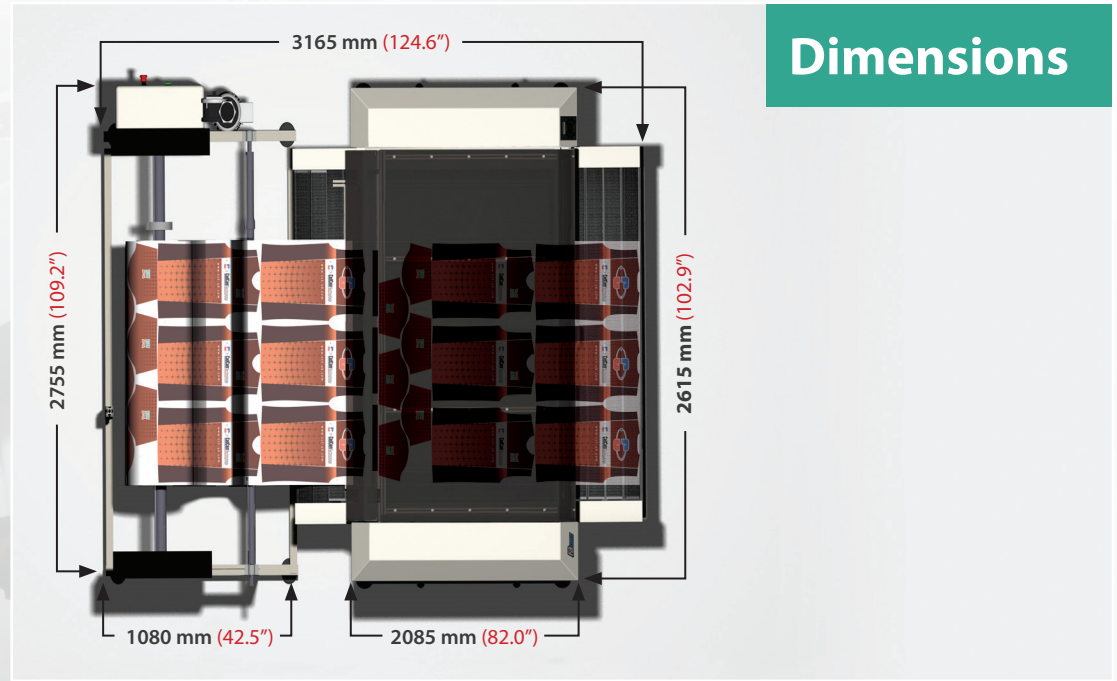
Area mapping

Air assist nozzle with compressed air port

CE Mark

Class 1 interlocked laser for safe use

Optional visible red pointer



Dimensions

LASER POWER OPTIONS	50 Watts, 100 Watts, 200 Watts	MOTORISED DE-REELER	
HEIGHT	1050 mm (41.3")	980 mm (38.5")	
WIDTH	2615 mm (102.9")	2755 mm (109.2")	
DEPTH	2085 mm (82.0")	1080 mm (42.5")	
MAX ROLL WIDTH	1980mm (77.9")	TOTAL MACHINE DIMENSIONS	
MAX CUT WIDTH	1850mm (72.8")	HEIGHT	1050 mm (41.3")
MAX CUT LENGTH	Continuous	WIDTH	2755 mm (108.4")
WEIGHT	880kg (approx)	DEPTH	3165 mm (124.6")
CUTTING BED TYPE	Stainless steel honeycomb conveyor		

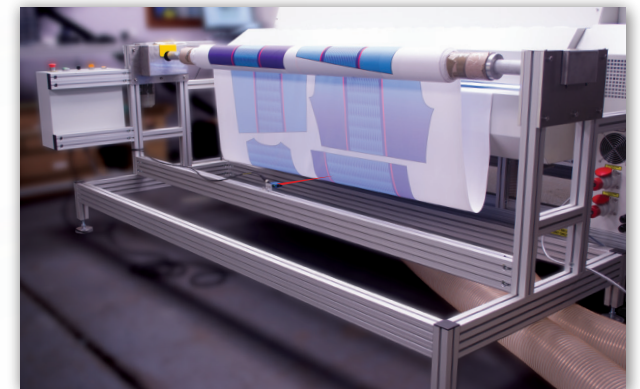
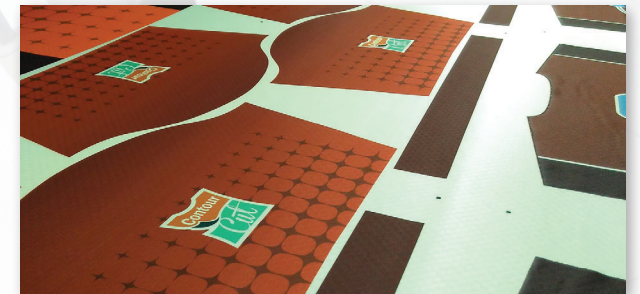
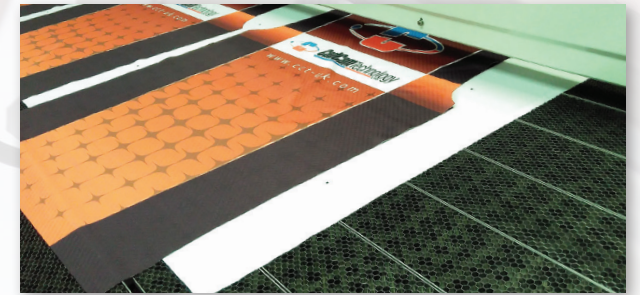
Conveyor System

Our conveyors allow continuous production of rolled material and transport cut parts out of the machine automatically. The honeycomb cutting bed allows extraction from underneath which not only provides a clean cut, but also vacuums the material down for precise movement through the cutting field.

It is possible to cut parts larger than the cutting area by using the bite feed option. Once the first part of the cut is completed the conveyor moves, then cuts the next part, and so on.

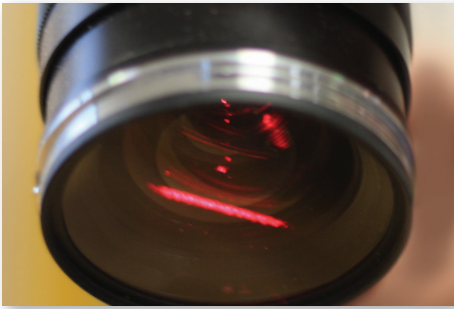
A compressed air knife system is located under the end of the conveyor which blows a thin jet through the honeycomb slats to remove the cut parts clear of the machine.

Our conveyors are encoder driven and use endless wedgetooth belts for precise movement. Stainless steel honeycomb slats and anodised aluminium parts are corrosion resistant to ensure longevity.



Motorised De-Reeler

Material is presented to the conveyor using our motorised roll handling system. As the roll unwinds, a loop is created in the material. This loop is kept constant with the use of a light sensor. As material is taken up by the conveyor, the motorised roll handler automatically feeds the material out. This loop also relaxes the material so all fabric tension is removed before cutting, reducing distortion and ensuring an accurate cut.

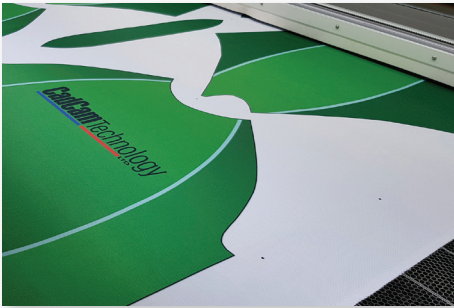
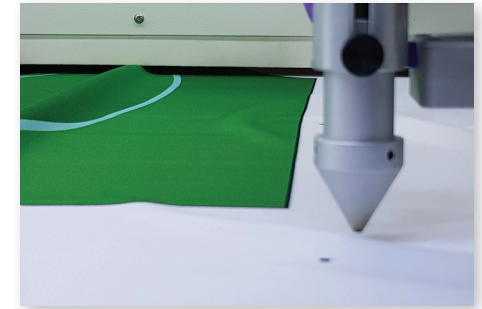


Camera Recognition

State of the art camera system to pinpoint registration marks to ensure a precise and perfect cut.

Distortion Compensation

The system automatically compensates for any distortions or stretches on any textiles.



Bite Feed

Parts larger than the actual machine can be cut continuously with no problem.

Precise, Accurate Cuts

Accurate cutting at high speeds, over and over again, saving you time and money.



Your nearest distributor is:

All our laser products and software are manufactured to high standards in the UK by CadCam Technology Ltd:



CadCam Technology Ltd
5 Crocus Street
Nottingham
NG2 3DE

Telephone: +44 (0) 115 844 8050
Fax: +44 (0) 115 844 8059
Email: info@cct-uk.com

For further information and contact details of our international distributors please visit:

www.cct-uk.com

